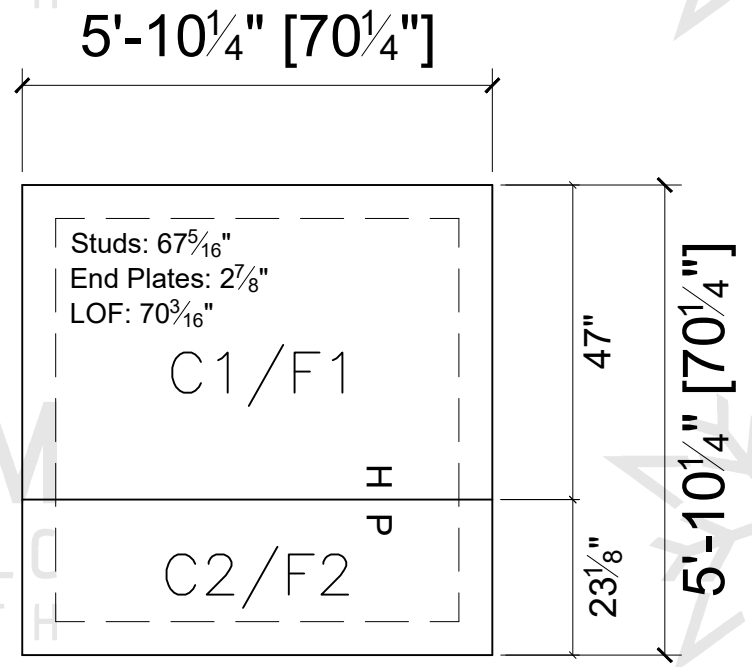
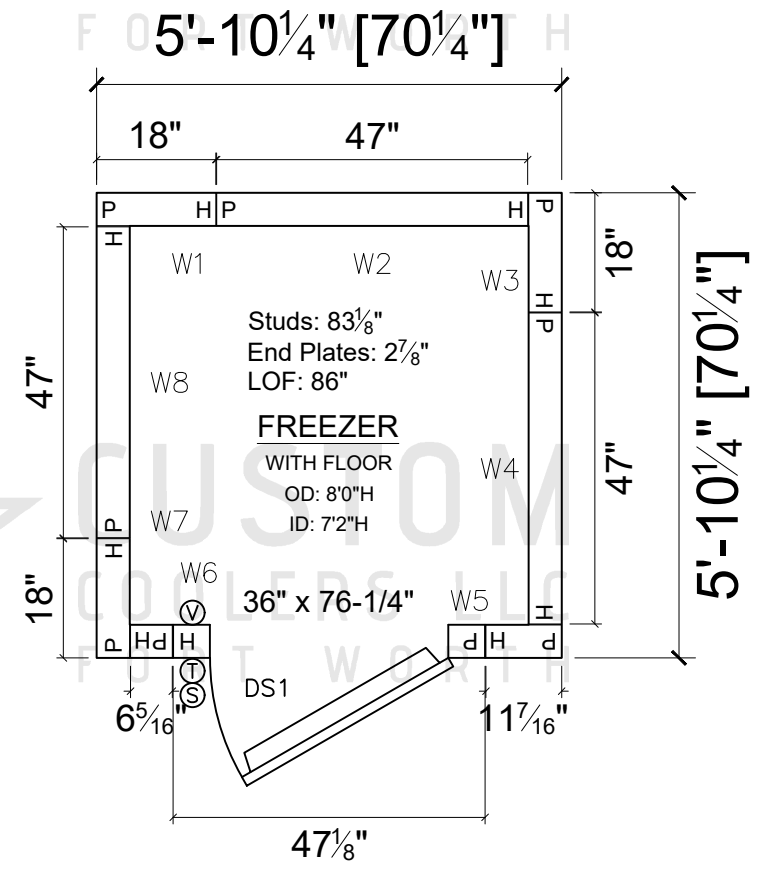


Pin Layout for Cam-Floors

CAM LAYOUT		
#	PANEL SIZE	POSITION
1	47"	12"
2	36"	10"
3	26"	8"
4	8"	CENTERED
5	<8"	NONE



Lag-Tops / Cam-Floors



INDOOR FREEZER, WITH FLOOR
 (WOOD FRAME, LAG DOWN TOPS, CAMLOCK FLOOR)
 DIMENSIONS: 5'10 1/4" x 5'10 1/4" x 8'0"H
 FINISH: STUCCO EMBOSSED GALVALUME - INT/EXT
 INSULATION:
 5" CLASS 1 POLYURETHANE WALLS & TOPS
 FLOOR:
 4" CLASS 1 POLYURETHANE w/ 1/2" PLYWOOD
 DOOR:
 1 - 36"x76 1/4" OVERLAP FREEZER DOOR
 (2) 1346 HINGES
 (1) K56 LATCH & STRIKE
 (1) 487 INSIDE RELEASE
 (1) 1094 HYDRAULIC DOOR CLOSER
 (2) 24"H ADT KICKPLATES
 (1) HEATED DOOR FRAME w/ THRESHOLD
 OTHER:
 1 - 48" LED LIGHT FIXTURE
 1 - DIGITAL THERMOMETER w/ LIGHT SWITCH

6x6 FRZ

Ship To:



5609 AZLE AVENUE FT. WORTH, TEXAS
 FAX 817-626-1213 817-626-3737
 TOLL FREE 1-800-627-0488

DRWN BY TSS	DATE 28 MAR 25	
CHKD BY		
CHKD BY		
No.	Revision	Date

Project	Sheet
Date	1 of 1
Scale NTS	

JOB NO.:
CF66