



INSTALLATION INSTRUCTIONS

1832 Large Spring Valve Heated Pressure Relief Port

Part Number: 1183200000*

CAUTION

Supply cord to be replaced/installed by qualified persons to avoid a hazard.

DIRECTIONS

1. Select a location for the PRP away from the direct flow of cold air from the coils. Choose a location where the passage of air through the PRP will not be obstructed. A location near another wired fixture may simplify the wiring. Check the PRP's labeled voltage insuring that it is suitable for the supply voltage.
2. Mark a circle 6-1/16 inches in diameter in the selected location and mark the center. This is to be sure that the louvered covers will fit the selected location. Using the same center, cut a 4-13/16 inch diameter hole through the panel (Figure 1).
3. Cut a hole for the junction box into the outside (warm side) of the panel, the size and shape of the hole to suit the junction box to be used. Locate the box within two (2) feet from the PRP (Figure 2).
4. At mid-point in the 4-13/16 inch hole, provide a hole for the cord to pass through the insulation and into the junction box hole (Figure 2).
5. Insert the sleeve into the 4-13/16 inch hole and align the cord hole in the sleeve with the cord hole in the panel. Pass the cord through the gasket and place the gasket under the valve body rim. Insert the cord into the hole in the sleeve from the cold side (inside) of the freezer. Feed the cord through and pull out through the junction box hole.
6. With the valve assembly ground screw in the bottom position, place the louver over the valve assembly with the openings facing down and line up the screw holes in the louver, the valve assembly, and the gasket. While holding the parts lined up, place the valve assembly into the sleeve (Figure 1).
7. Spot through the three (3) holes of louver and drill 1/8" holes for #8 sheet metal screws. Drive in the three (3) screws and the inside PRP assembly work is completed.
8. On the outside (warm side) of the freezer, assemble the louver, screen, flange, and gasket in the same manner as the inside parts were assembled and fasten with three (3) screws.

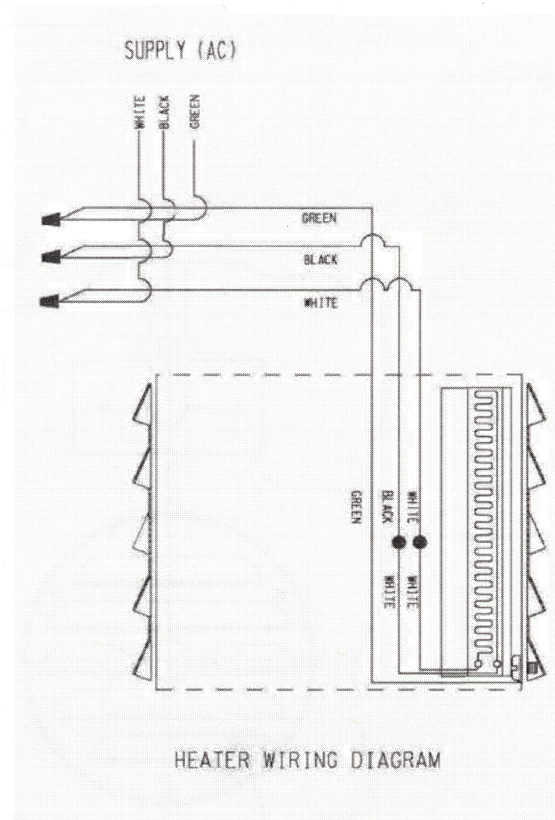
CAUTION: BE SURE THAT THE WIRING DOES NOT INTERFERE WITH THE OPERATION OF THE VALVE.
9. Complete the electrical connections at the junction box.
See "Wiring Diagram."

NOTES

PRP's can be expected to generate some moisture or frost during humid weather conditions. When warm moist air is cooled as it enters the refrigerated space, the formation of some condensation is unavoidable. To reduce the chance of frost or moisture buildup, the PRP should be located where the moisture brought in by warm air can disperse without directly contacting a cold surface.

This unit has passed a Hi-Pot test by Kason Industries. Subsequent Hi-Pot testing not required. Hi-Pot over 1500 volts and 1 second will damage unit and void the warranty.

Part No.	Description
11832000004	120 V, 50/60 Hz



GreenGuard.



INSTALLATION INSTRUCTIONS

1832 Large Spring Valve Heated Pressure Relief Port

Part Number: 1183200000*

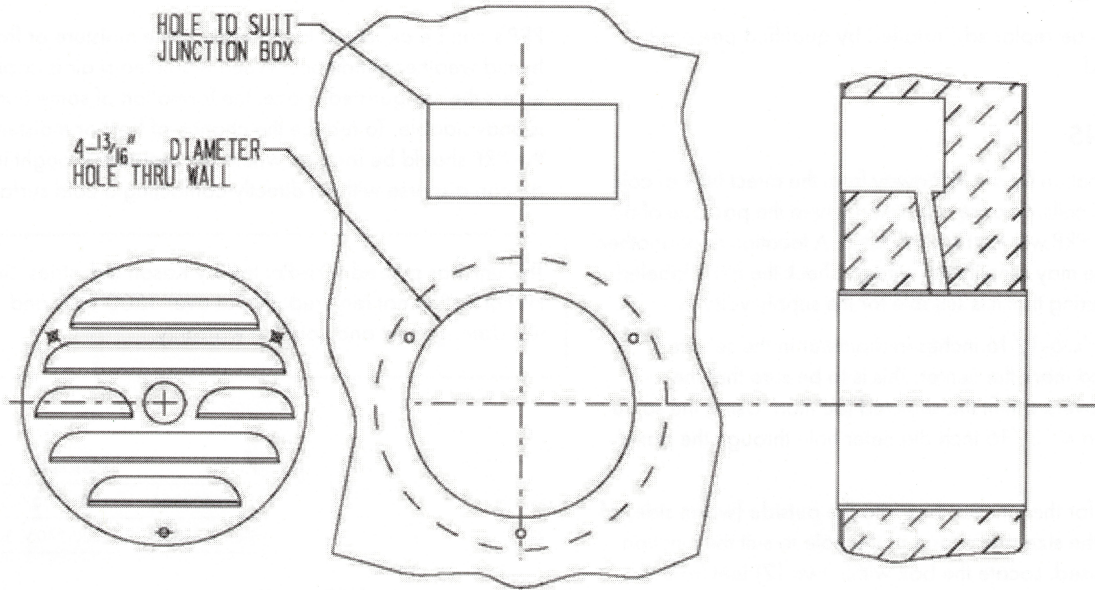


FIGURE 1

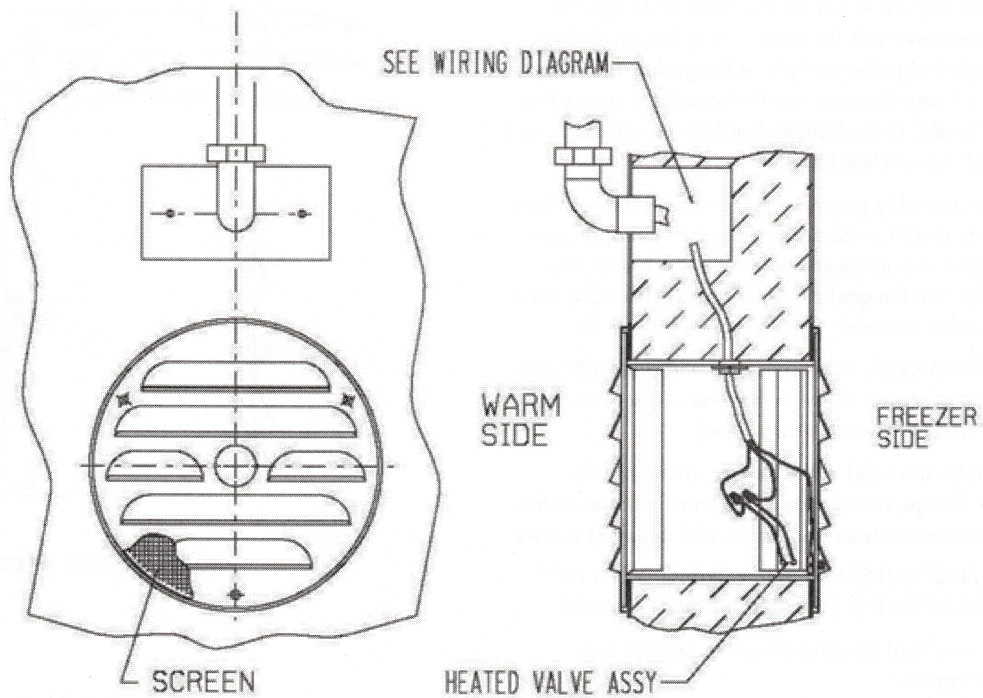


FIGURE 2