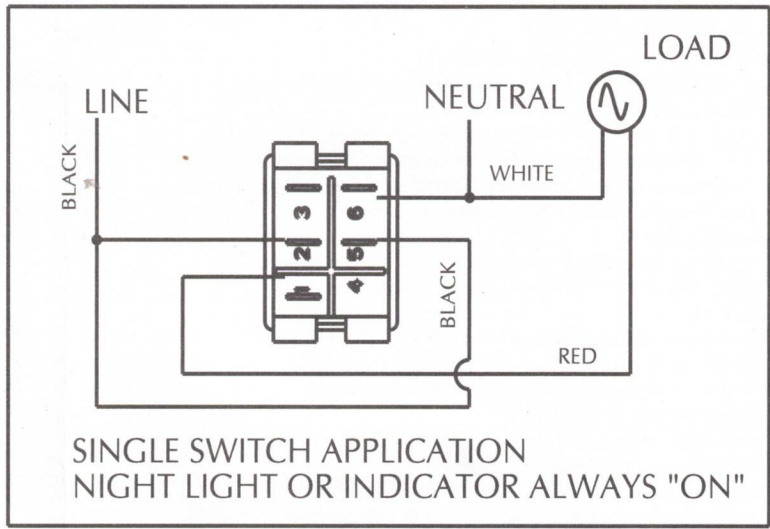
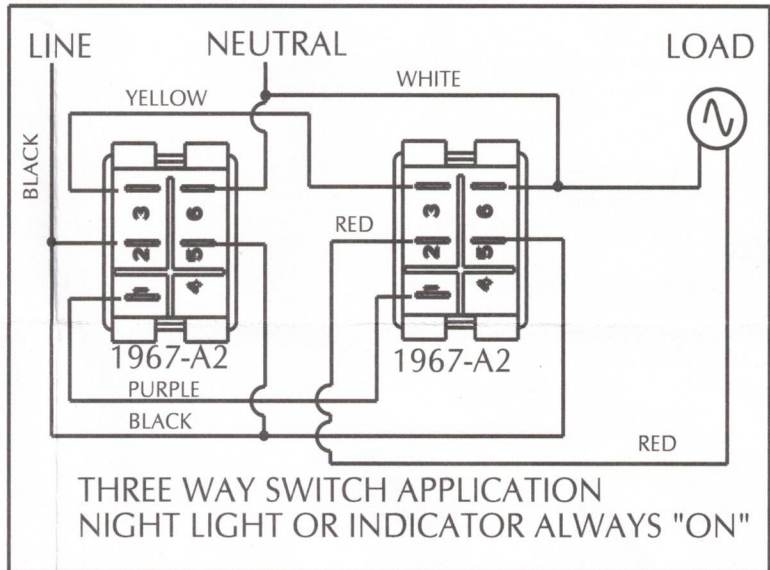


Temperature display
needs constant ac power
always pull power to display



FOR USE WITH 1908-603 3-WAY SWITCH



FOR USE WITH 1908-604 4-WAY SWITCH

FOR WIRE DIAGRAM BELOW: "NIGHTLIGHT" Indicator
Indicator in the 1908-603 will light when load is "ON" / 1908-604 will be "OFF"
Indicator in the 1908-603 will not light when load is "OFF" / 1908-604 will be "ON"

