

Pin Layout for Cam-Floors

INDOOR FREEZER, WITH FLOOR

(WOOD FRAME, LAG DOWN TOPS, CAMLOCK FLOOR)

DIMENSIONS: 7'-10 1/4" x 9'-9 3/8" x 8'-0" H

FINISH: STUCCO EMBOSSED GALVALUME - INT/EXT

INSULATION:

5" CLASS 1 POLYURETHANE WALLS & TOPS

FLOOR:

4" CLASS 1 POLYURETHANE w/ 1/2" PLYWOOD

DOOR:

1 - 36"x76 1/4" OVERLAP FREEZER DOOR

(2) 1346 HINGES

(1) K56 LATCH & STRIKE

(1) 487 INSIDE RELEASE

(1) 1094 HYDRAULIC DOOR CLOSER

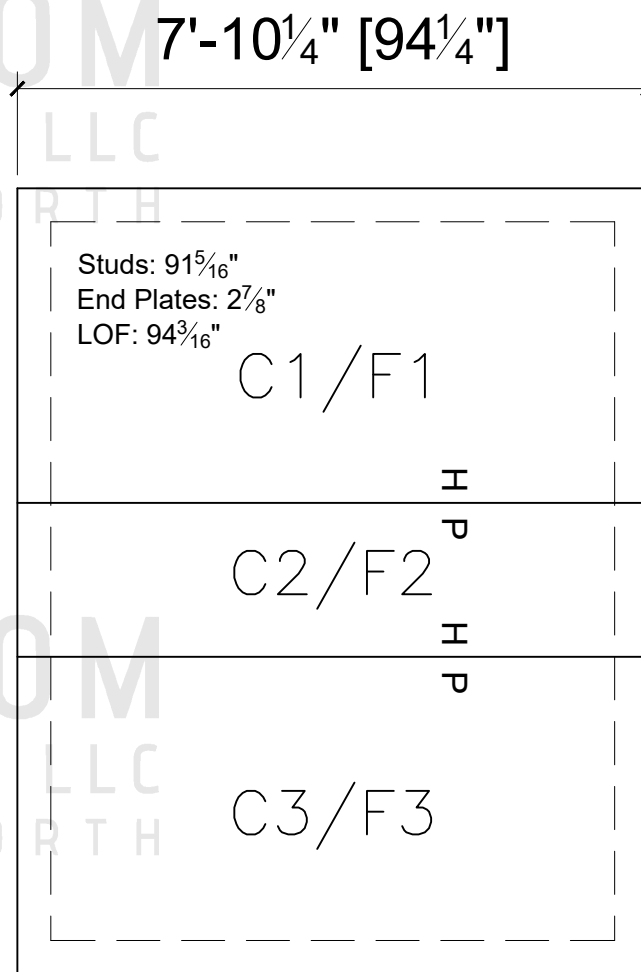
(2) 24"H ADT KICKPLATES

(1) HEATED DOOR FRAME w/ THRESHOLD

OTHER:

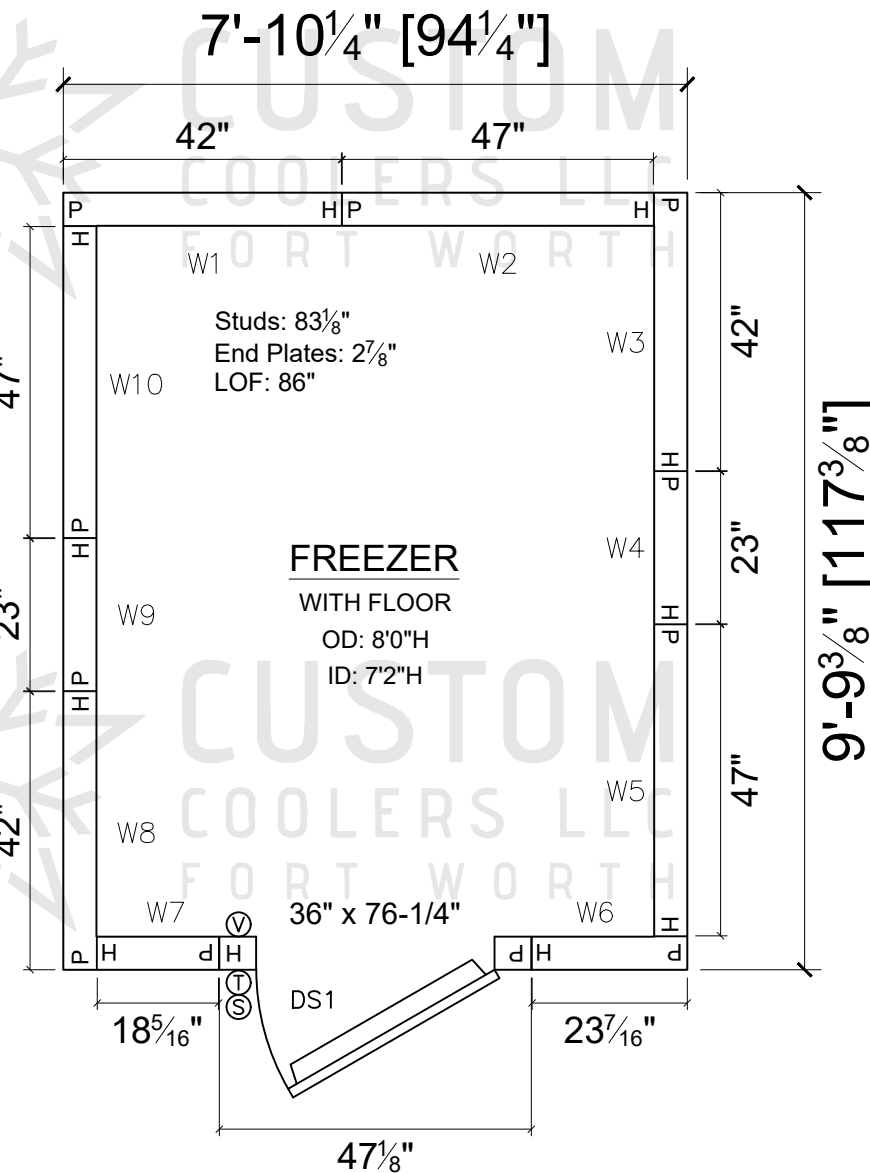
1 - 48" LED LIGHT FIXTURE

1 - DIGITAL THERMOMETER w/ LIGHT SWITCH



Lag-Tops / Cam-Floors

CAM LAYOUT		
#	PANEL SIZE	POSITION
1	47"	12"
2	36"	10"
3	26"	8"
4	8"	CENTERED
5	<8"	NONE



8x10 FRZ

Ship To:



5609 AZLE AVENUE FT. WORTH, TEXAS
 FAX 817-626-1213 817-626-3737
 TOLL FREE 1-800-627-0488

DRWN BY: TSS DATE: 28 MAR 25

CHKD BY:

CHKD BY:

No.	Revision	Date

Project: _____ Sheet: _____
 Date: _____ 1 of 1
 Scale: NTS

JOB NO.:
CF810